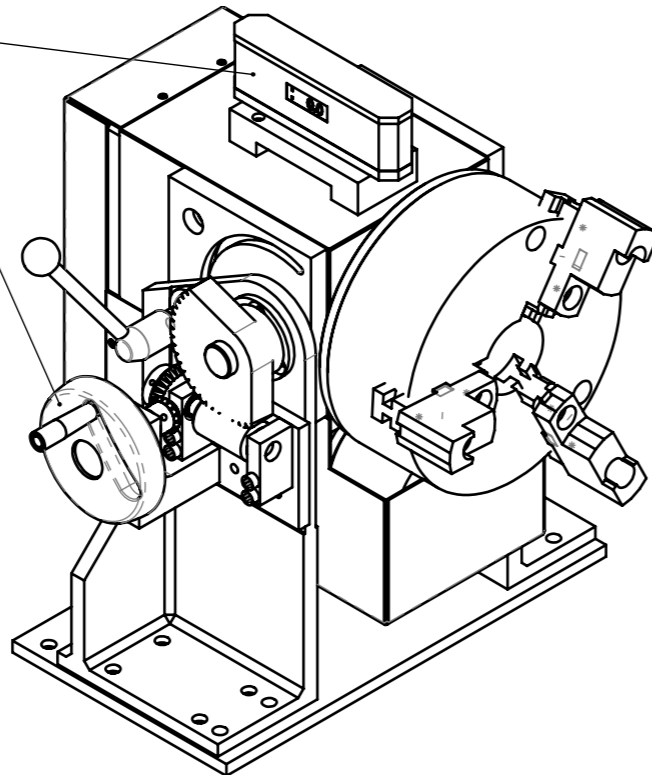


Inclinometer & Hand Wheel Available On Tilting Version



Chuck Dia: 200mm  
 Max Grip Capacity: 200mm  
 Height: 290mm  
 Max Load Capacity: 100 Kg

**PRYOR**  
 MARKING TECHNOLOGY

EDWARD PRYOR & SON LTD  
 EGERTON STREET,  
 SHEFFIELD, S1 4IX  
 TEL: +44 (0) 114 2766044  
 FAX: +44 (0) 114 2766890  
 enquiries@pryormarking.com  
 www.pryormarking.com

TITLE:  
**Heavy Dty Circ Fixture, Tilting**

CREATED BY: rsmith  
 CREATED ON: 23.12.2010  
 RELEASED BY:  
 RELEASED ON:

GENERAL TOLERANCE  
 NO DECIMAL PLACES +/- 0.5mm  
 ONE DECIMAL PLACE +/- 0.1mm  
 TWO DECIMAL PLACES +/- 0.03mm  
 THREE DECIMAL PLACES +/- 0.005mm  
 ANGULAR DIMENSIONS +/- 0.25 degree

MATERIAL:  
 FINISH:

|            |                     |               |
|------------|---------------------|---------------|
| SIZE<br>A3 | DRG NO:<br>10007977 | REV<br>6      |
| SCALE: 1:5 | UNITS: mm UOS       | SHEET: 1 OF 1 |