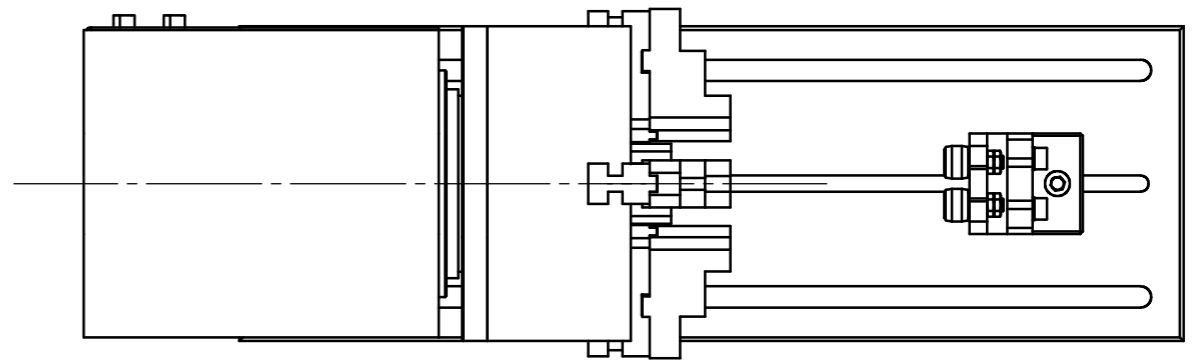
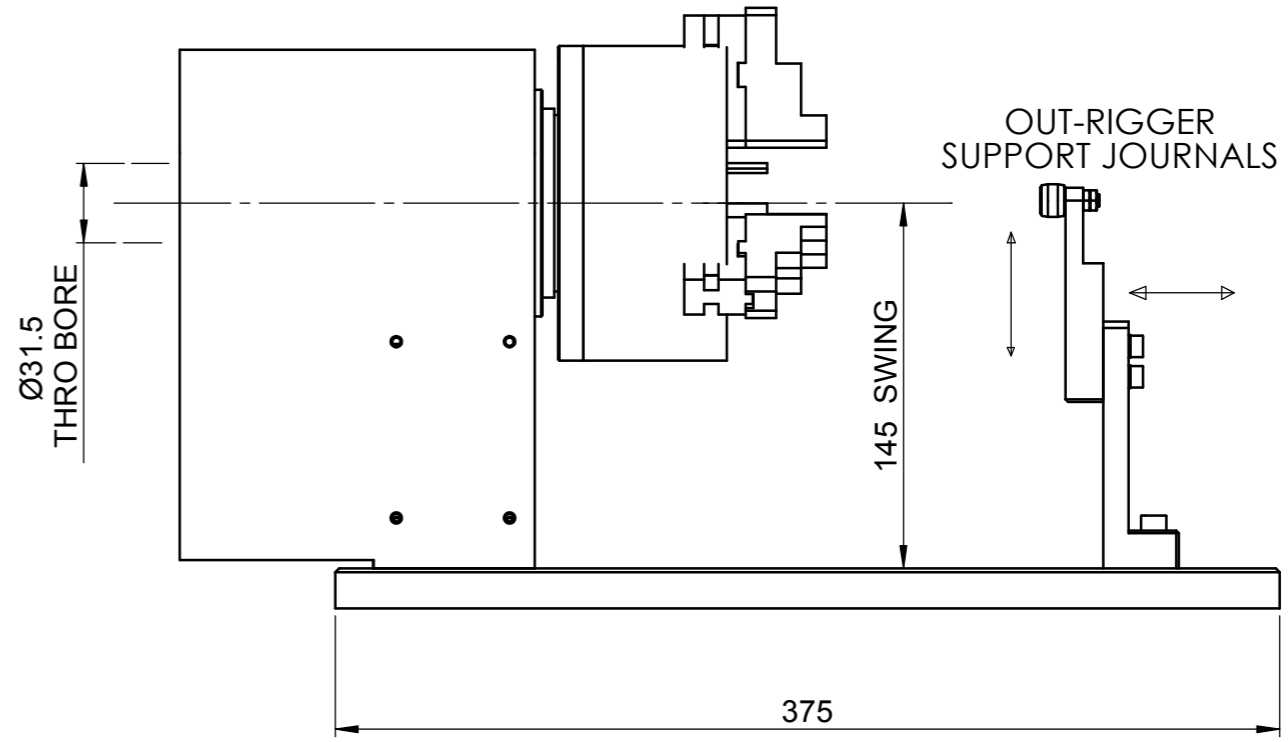
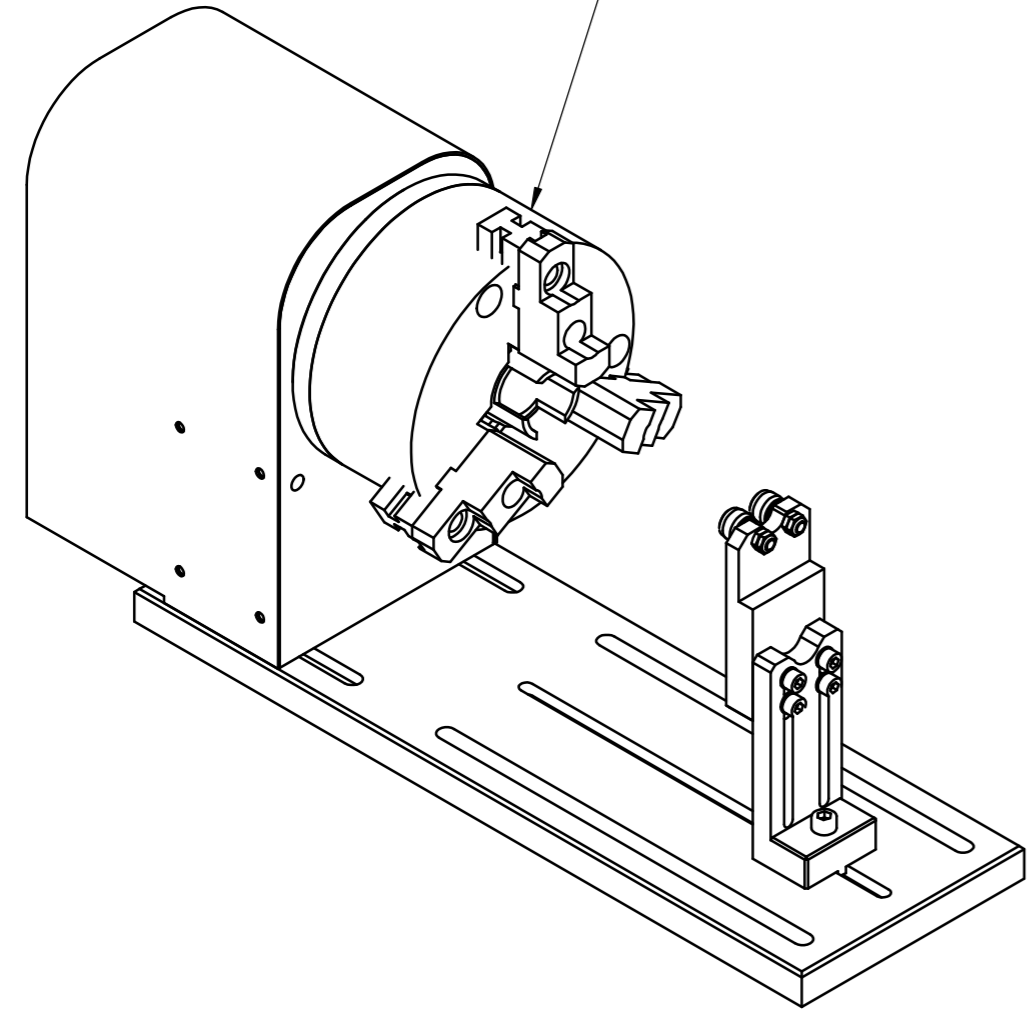
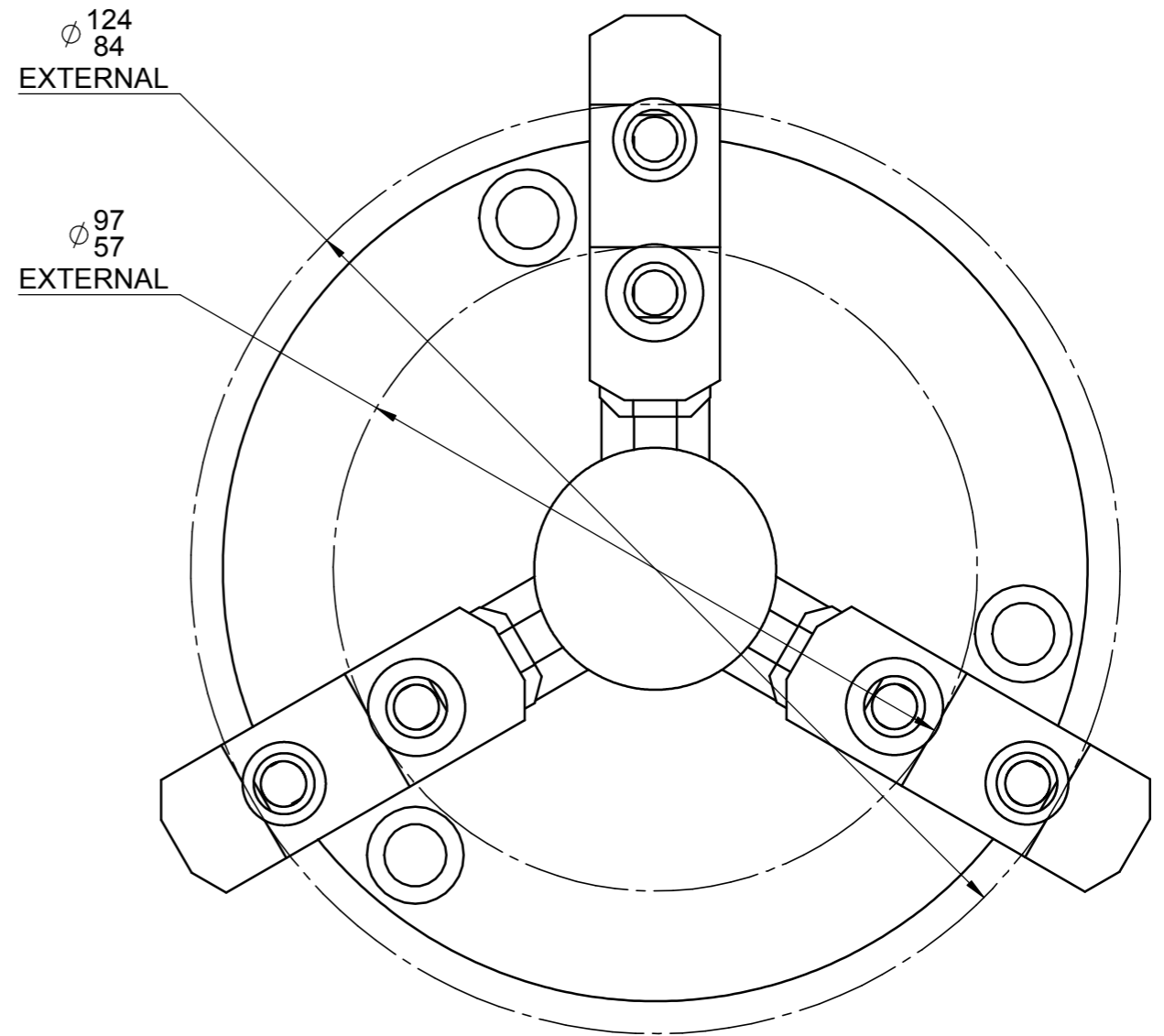
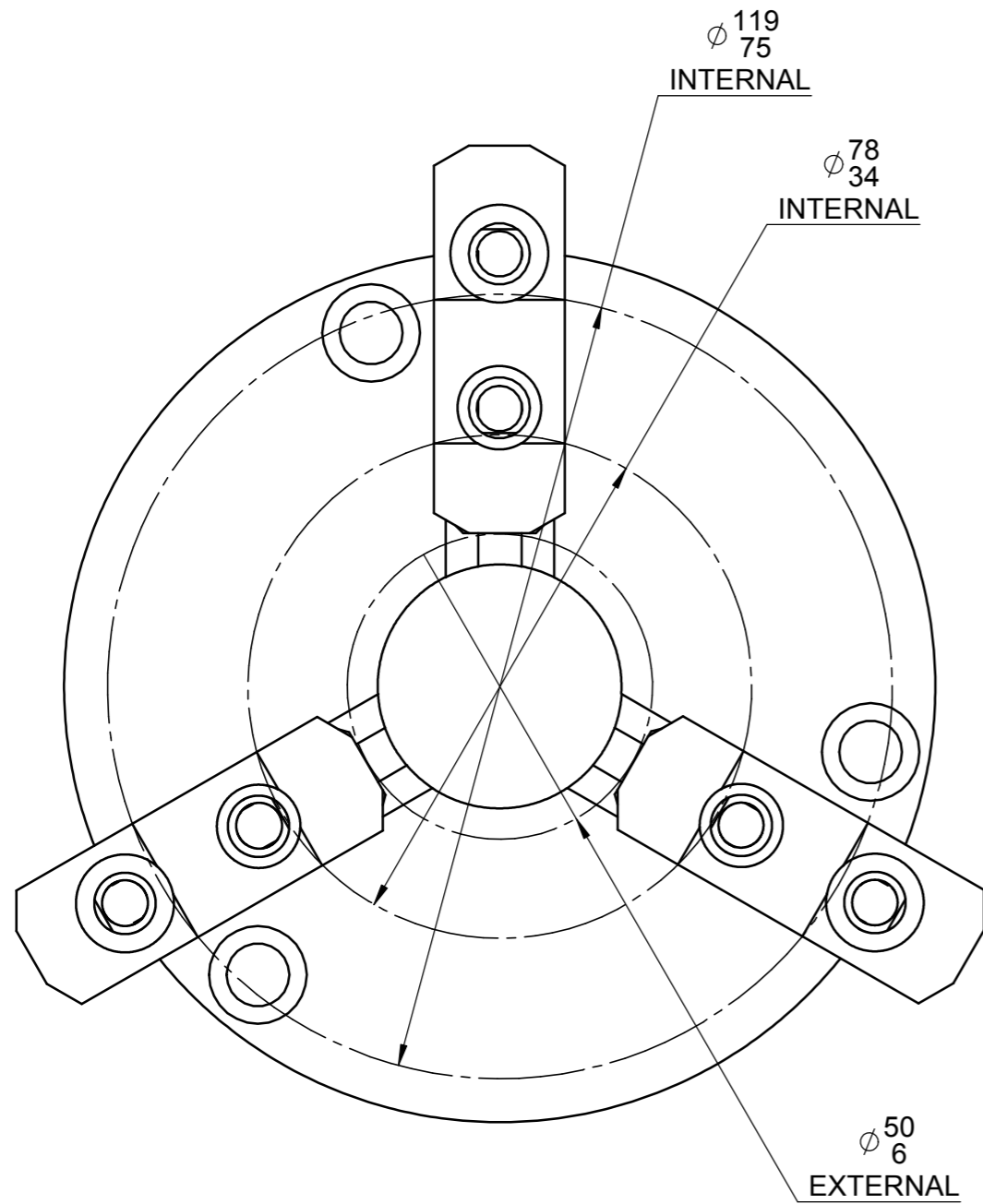


STEPPER MOTOR DRIVEN CHUCK WITH DATUM HOME SWITCH



Chuck Dia: 125mm
 Max Grip Capacity: 124mm
 C Height: 145mm
 Max Load Capacity: 25-30 Kg

		EDWARD PRYOR & SON LTD EGERTON STREET, SHEFFIELD, S1 4JX TEL: +44 (0) 114 2766044 FAX: +44 (0) 114 2766890 enquiries@pryormarking.com www.pryormarking.com		TITLE: <h3>Through Bore Circumferential Fixture</h3>	
GENERAL TOLERANCE NO DECIMAL PLACES +/- 0.5mm ONE DECIMAL PLACE +/- 0.1mm TWO DECIMAL PLACES +/- 0.03mm THREE DECIMAL PLACES +/- 0.005mm ANGULAR DIMENSIONS +/- 0.25 degree		MATERIAL:		CREATED BY: joldale RELEASED BY: charrop	
GENERAL FLATNESS TOLERANCE 0-100mm, 0.2mm 100-750mm, 0.5mm 750+mm, 1.0mm		FINISH: None		CREATED ON: 15/10/2008 RELEASED ON: 26/01/2012	
		TREATMENT:		DRG NO: 10019180 REV 2	
				SIZE: A3 SCALE: 1:3 UNITS: mm UOS SHEET: 1 OF 2	



<p>EDWARD PRYOR & SON LTD EGERTON STREET, SHEFFIELD, S1 4JX TEL: +44 (0) 114 2766044 FAX: +44 (0) 114 2766890 enquiries@pryormarking.com www.pryormarking.com</p>	TITLE: Through Bore Circumferential Fixture	
	GENERAL TOLERANCE NO DECIMAL PLACES +/- 0.5mm ONE DECIMAL PLACE +/- 0.1mm TWO DECIMAL PLACES +/- 0.03mm THREE DECIMAL PLACES +/- 0.005mm ANGULAR DIMENSIONS +/- 0.25 degree	MATERIAL: FINISH: None
GENERAL FLATNESS TOLERANCE 0-100mm, 0.2mm 100-750mm, 0.5mm 750+mm, 1.0mm	TREATMENT:	CREATED ON: 15/10/2008 RELEASED ON: 26/01/2012
		DRG NO: 10019180 REV 2
		SIZE: A3 SCALE: 1:1 UNITS: mm UOS SHEET: 2 OF 2